
Centre table

design Bas Vellekoop

Classic design meets cutting-edge tech,
in an ambitious table system with inner strengths



Available in three sizes and
multiple colours



Nanotechnology keeps the finish
unblemished, and extends its lifetime

Product information

An elegant hollow steel centre point at the base of these tables provides support and stability without bulk.

The innovation continues up top with the use of nanotechnology, that allows the superficial micro-

scratches that would normally spoil the Centre's matte finish over time to be simple removed by thermal healing. Together with its timeless looks, this ensures a longer, more sustainable lifetime.

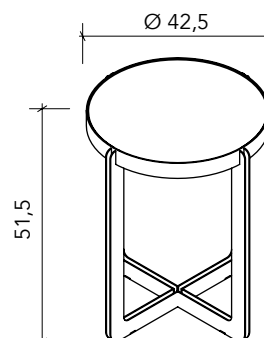
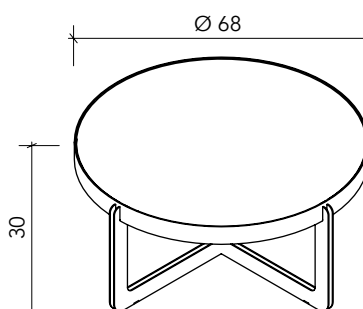
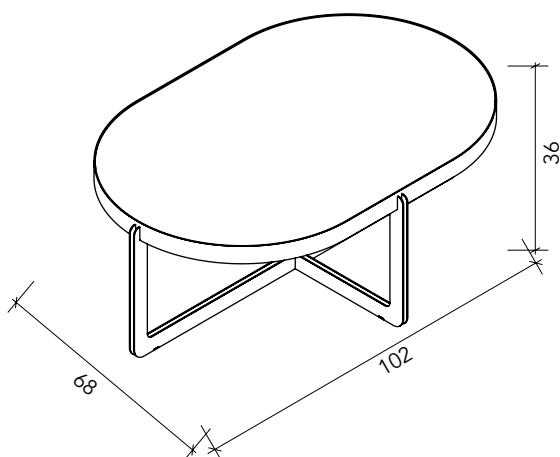
Available in coffee table and side table format.

Specifications:

Fenix NTM top layer, available in 5 colours
12 mm black MDF table top
Lasercut and welded steel frame,
black powdercoated
Plastic feet
Maximum weight load: 60 kg
Origin: Europe / Holland, Slovakia

Available shapes and sizes (in cm):

round side table	42,5x51,5 (Ø x H)
round coffee table	68x30 (Ø x H)
oval coffee table	102x68x36 (WxDxH)



Centre table

design Bas Vellekoop



fast delivery program

Available from stock: side or coffee table
in 3 sizes and 2 colours



Product information

Fenix NTM top layer, in grigio londra or nero ingo
12 mm black MDF table top
Lasercut and welded steel frame,
black powdercoated
Plastic feet
Maximum weight load: 60 kg
Origin: Europe / Holland, Slovakia



grigio londra 0718



nero ingo 0720



SIDE TABLE CENTRE ROUND
BA23001 GRIGIO LONDRA 0718



SIDE TABLE CENTRE ROUND
BA23002 NERO INGO 0720



COFFEE TABLE CENTRE ROUND
BA23003 GRIGIO LONDRA 0718



COFFEE TABLE CENTRE ROUND
BA23004 NERO INGO 0720



COFFEE TABLE CENTRE OVAL
BA23005 GRIGIO LONDRA 0718



COFFEE TABLE CENTRE OVAL
BA23006 NERO INGO 0720

side table round PACKING QTY 1
pc/2 ctn • CTN SIZE (CM) 43x43x5
(top), 46x46x53 (frame) • CBM 0,009
(top), 0,112 (frame) • NW (KG) 1,47
(top), 6 (frame) • GW (KG) 1,7 (top),
7,2 (frame)

coffee table round PACKING QTY
1 pc/2 ctn • CTN SIZE (CM) 67x67x5
(top), 70x70x32 (frame) • CBM 0,022
(top), 0,157 (frame) • NW (KG) 3,78
(top), 6,5 (frame) • GW (KG) 4,3 (top),
8,5 (frame)

coffee table oval PACKING QTY 1
pc/2 ctn • CTN SIZE (CM) 100x67x5
(top), 103x70x37,5 (frame) • CBM
0,034 (top), 0,270 (frame) • NW (KG)
6,2 (top), 8,4 (frame) • GW (KG) 7,15
(top), 11 (frame)