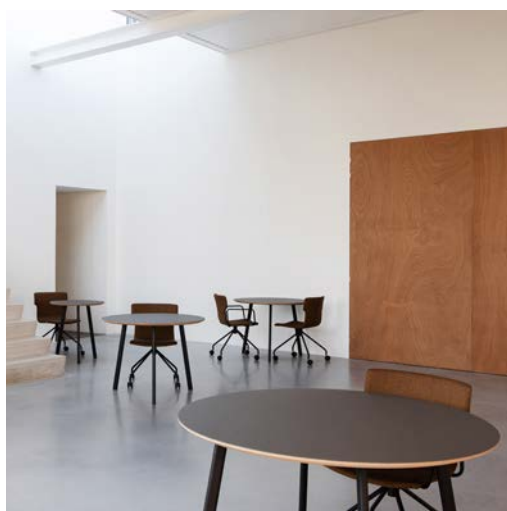

Oval table

design Peter van de Water

A flexible family of tables and desks supported by four big, oval-shaped ideas



Desk or table, for home or office



Available in multiple shapes and sizes, table top in 8 colours

Product information

This family of tables charms from the moment you first set eyes on one. The table top, with its wood from well-managed forests, refined edges and eco-friendly Forbo furniture linoleum desktop, looks at home in any office, or indeed home. And there's a huge variety of shapes, sizes and colours to choose from.

But their true beauty may be revealed over a longer timescale. Tastes change. Table tops

inevitably wear out from the daily assault their users place on them. That's why the Oval's legs are easily detachable – they can be attached to new wood, or worked into new forms. When one part fails, there is no need to replace the entire table.

Thus, we can help work towards a lower lifetime material footprint. And your Oval table can evolve with you, as you live and work.

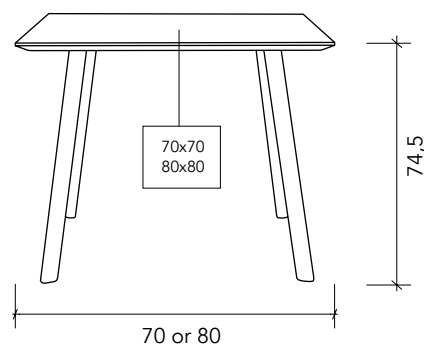
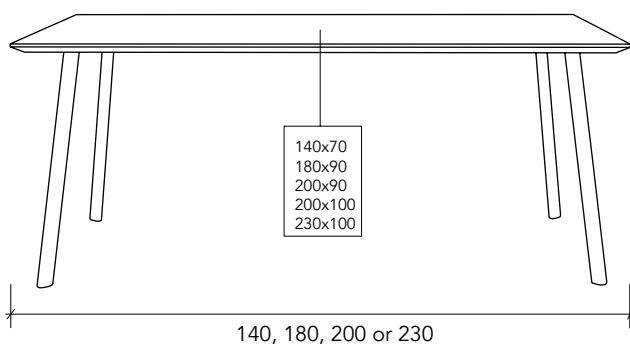
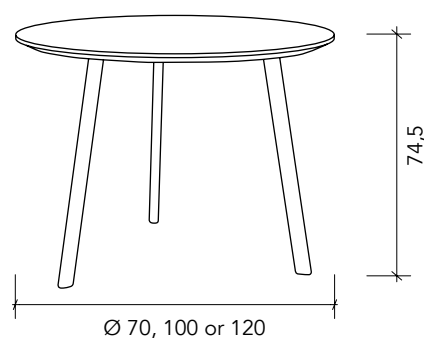
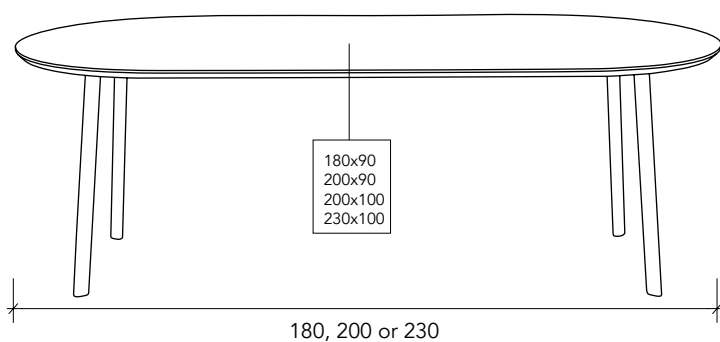
Specifications:

Forbo furniture linoleum top layer,
available in 8 colours
26 mm birch plywood table top,
wood from well-managed forests
Ultra-matte PU-lacquered edge
Black powdercoated steel legs
Plastic feet
Maximum weight load: 100 kg
Origin: Europe / Holland, Slovakia

Available shapes and sizes (in cm):

round	Ø 70 (3 legs)
round	Ø 100 (3 legs)
round	Ø 120 (4 legs)
square	70x70
square	80x80
rectangle	140x70
oval/rectangle	180x90
oval/rectangle	200x90
oval/rectangle	200x100
oval/rectangle	230x100

Table height: 74,5 cm



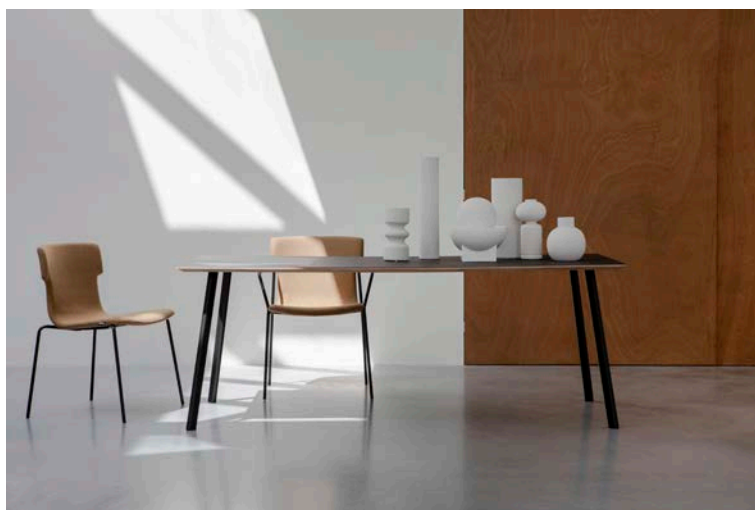
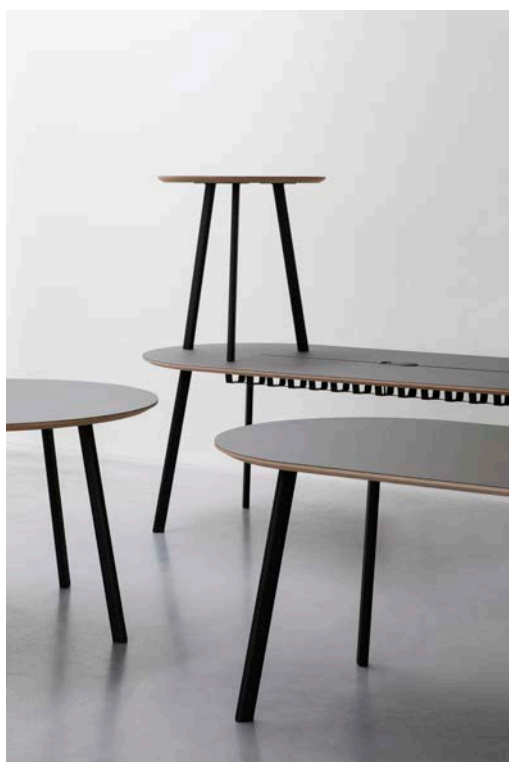
Oval table

design Peter van de Water



fast delivery program

Available from stock: round, rectangle and oval tables in multiple sizes and 2 to 3 colours



Product information

Forbo furniture linoleum top layer,
in iron, nero or olive

26 mm birch plywood table top,
wood from well-managed forests

Ultra-matte PU-lacquered edge

Black powdercoated steel legs (3/4 pcs)

Plastic feet

Maximum weight load: 100 kg

Origin: Europe / Holland, Slovakia



iron 4178



olive 4184



nero 4023*

*fast delivery colour while stock lasts,
further available for custom orders



TABLE OVAL ROUND 100 *
BA21002 NERO 4023*
BA21003 OLIVE 4184*



TABLE OVAL ROUND 120
BA21004 IRON 4178
BA21005 NERO 4023*
BA21006 OLIVE 4184



TABLE OVAL RECTANGLE 180x90
BA21007 IRON 4178
BA21008 NERO 4023*
BA21009 OLIVE 4184



TABLE OVAL OVAL 180x90
BA21010 IRON 4178
BA21011 NERO 4023*
BA21012 OLIVE 4184

TABLE OVAL RECTANGLE 200x90
BA21013 IRON 4178
BA21014 NERO 4023*
BA21015 OLIVE 4184

TABLE OVAL OVAL 200x90
BA21016 IRON 4178
BA21017 NERO 4023*
BA21018 OLIVE 4184

TABLE OVAL RECTANGLE 230x100
BA21019 IRON 4178
BA21020 NERO 4023*
BA21021 OLIVE 4184

TABLE OVAL OVAL 230x100
BA21022 IRON 4178
BA21024 OLIVE 4184

*fast delivery item while stock lasts,
further available for custom orders

100 round PACKING QTY 1 pc/2 ctn • CTN SIZE (CM)
103x103x5 (top), 77x26x16 (legs) • CBM 0,053 (top), 0,032
(legs) • NW (KG) 14,5 (top), 7,3 (legs) • GW (KG) 15,5 (top),
7,6 (legs)

120 round PACKING QTY 1 pc/2 ctn • CTN SIZE (CM)
123x123x5 (top), 77x41x16 (legs) • CBM 0,076 (top), 0,051
(legs) • NW (KG) 20,8 (top), 10,5 (legs) • GW (KG) 22,3 (top),
11 (legs)

180 rectangle PACKING QTY 1 pc/2 ctn • CTN SIZE (CM)
183x93x5 (top), 77x41x16 (legs) • CBM 0,085 (top), 0,051 (legs)
• NW (KG) 29,8 (top), 10,5 (legs) • GW (KG) 32 (top), 11 (legs)

180 oval PACKING QTY 1 pc/2 ctn • CTN SIZE (CM) 183x93x5
(top), 77x41x16 (legs) • CBM 0,085 (top), 0,051 (legs) • NW
(KG) 26,6 (top), 10,5 (legs) • GW (KG) 28,8 (top), 11 (legs)

200 rectangle PACKING QTY 1 pc/2 ctn • CTN SIZE (CM)
203x93x5 (top), 77x41x16 (legs) • CBM 0,094 (top), 0,051 (legs)
• NW (KG) 33,2 (top), 10,5 (legs) • GW (KG) 35,6 (top), 11 (legs)

200 oval PACKING QTY 1 pc/2 ctn • CTN SIZE (CM) 203x93x5
(top), 77x41x16 (legs) • CBM 0,094 (top), 0,051 (legs) • NW
(KG) 29,9 (top), 10,5 (legs) • GW (KG) 32,3 (top), 11 (legs)

230 rectangle PACKING QTY 1 pc/2 ctn • CTN SIZE (CM)
233x103x5 (top), 77x41x16 (legs) • CBM 0,120 (top), 0,051
(legs) • NW (KG) 42,4 (top), 10,5 (legs) • GW (KG) 45,2 (top),
11 (legs)

230 oval PACKING QTY 1 pc/2 ctn • CTN SIZE (CM)
233x103x5 (top), 77x41x16 (legs) • CBM 0,120 (top), 0,051
(legs) • NW (KG) 38,4 (top), 10,5 (legs) • GW (KG) 41,2 (top),
11 (legs)