
Twigs chair & barstool

design buro banne

When construction defines the design



The Twigs series consists of a chair and barstool in a natural or black finish



Highly customizable in multiple Kvadrat fabrics, with an endless choice of colour

Product information

Just as much a contemporary as an innovative design that combines the best of both solid ash wood and veneered moulded plywood in an outstanding construction that will not go unnoticed.

At first glance a deceptively simple design, but essential and simple in its lines and round shapes, in-depth, a design tenet of durability with premium comfort that surrounds its character. Without

compromising its unconventional yet appealing design. It is this streamlined simplicity, that makes the Twigs collection a versatile addition to any seating ensemble.

The Twigs series can blend seamlessly into the surrounding interior, which makes it an obvious pick for both residential and contract use without dominating the space.

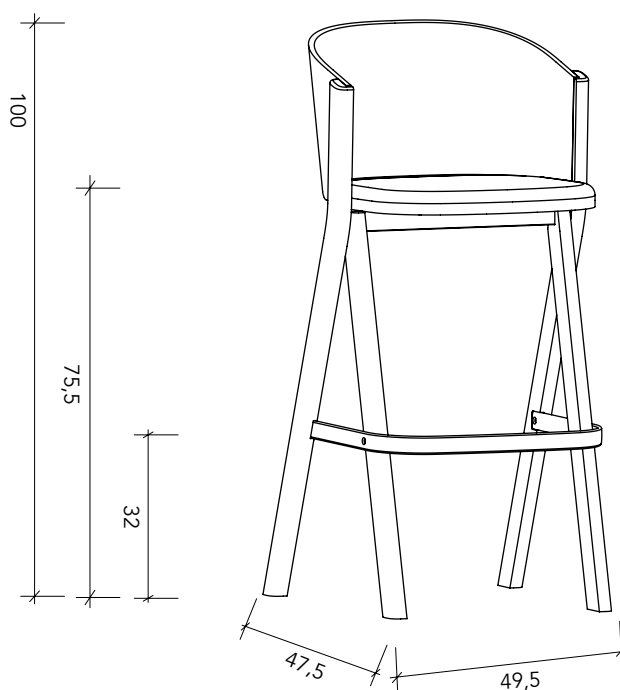
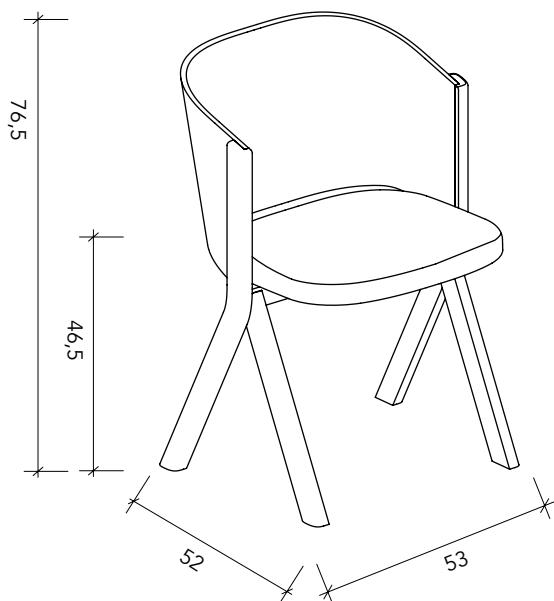
Specifications:

Chair or barstool,
upholstered in Kvadrat fabric of your choice
Solid ash wood legs and ash veneered plywood
back in natural or black finish, NC-lacquered
Plywood seat with PU foam, density 28
Black powder coated iron seat support and foot
rest (barstool)
Plastic gliders
Maximum weight load chair: 140 kg
Maximum weight load barstool: 120 kg
Origin: Asia / China

Dimensions chair:
53x52x76,5 cm (WxDxH)
Seat height 46,5 cm
Seat depth 43,5 cm
Seat width 48 cm
Arm height 69 cm

Dimensions barstool:
49,5x47,5x100 cm (WxDxH)
Seat height 75,5 cm
Seat depth 40,5 cm
Seat width 43,5 cm
Arm height 93,5 cm

Order QTY chair 2



Twigs chair

design buro banne


fast delivery program

Available from stock: chair in Grace fabric in 3 colours



Product information

Grace fabric: 70% recycled polyester/30% polyester, 75.000 Martindale, colour fastness 4-5
Solid ash wood legs and ash veneered plywood back in natural or black finish, NC-lacquered
Plywood seat with PU foam, density 28
Black powder coated iron seat support
Plastic gliders
Maximum weight load: 140 kg
Origin: Asia / China



CHAIR TWIGS NATURAL STONE
BA11000 GRACE 11



CHAIR TWIGS NATURAL ANTHRACITE
BA11001 GRACE 99



CHAIR TWIGS NATURAL GREY
BA11002 GRACE 93



CHAIR TWIGS BLACK STONE
BA11003 GRACE 11



CHAIR TWIGS BLACK ANTHRACITE
BA11004 GRACE 99



CHAIR TWIGS BLACK GREY
BA11005 GRACE 93

chair ORDER QTY 2 pcs • PACKING QTY 2 pcs/ctn • CTN SIZE
(CM) 66x62x88 • CBM 0,340 • NW (KG) 13,08 (2x6,54) • GW
(KG) 18,8

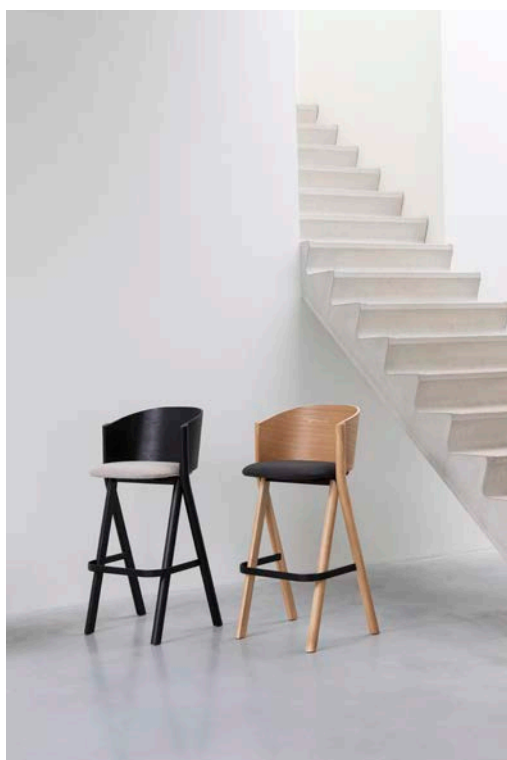
Twigs barstool

design buro banne



fast delivery program

Available from stock: barstool in Grace fabric in 3 colours



Product information

Grace fabric: 70% recycled polyester/30% polyester,

75.000 Martindale, colour fastness 4-5

Solid ash wood legs and ash veneered plywood

back in natural or black finish, NC-lacquered

Plywood seat with PU foam, density 28

Black powder coated iron seat support

and foot rest

Plastic gliders

Maximum weight load: 120 kg

Origin: Asia / China



BARSTOOL TWIGS NATURAL STONE
BA15000 GRACE 11



BARSTOOL TWIGS NATURAL ANTHRACITE
BA15001 GRACE 99



BARSTOOL TWIGS NATURAL GREY
BA15002 GRACE 93



BARSTOOL TWIGS BLACK STONE
BA15003 GRACE 11



BARSTOOL TWIGS BLACK ANTHRACITE
BA15004 GRACE 99



BARSTOOL TWIGS BLACK GREY
BA15005 GRACE 93

barstool PACKING QTY 1 pc/ctn • CTN SIZE (CM) 53x50x106
• CBM 0,270 • NW (KG) 7,48 • GW (KG) 11,1